



FEATURES

- Radial Format
- Up to 1.5A IDC
- 10 μ H to 2.2mH
- Low DC Resistance
- Miniature Size
- PCB Mounting
- MIL-I-23053/5 Class I & II Slewing
- Fully Tinned Leads
- Supplied in Bags of 100
- Custom Parts Available

DESCRIPTION

The 2200R Series is a general-purpose range of inductors suitable for low to medium current applications. Their small footprint makes them ideal for high-density applications where a chip inductor will not cope with the power requirement.

SELECTION GUIDE

Order Code	Inductance	DC Resistance	DC Current Continuous ²	Nominal Q at f kHz		Nominal Self Resonant Frequency
	$\pm 10\%$ (at 1 kHz) μ H	MAX	A MAX	Q	f	MHz
22R103	10	0.07	1.50	140	1400	40.00
22R153	15	0.80	1.10	150	1400	30.00
22R223	22	0.11	1.00	150	950	20.00
22R333	33	0.15	0.92	150	950	15.00
22R473	47	0.28	0.78	160	600	12.80
22R683	68	0.30	0.77	150	700	6.80
22R104	100	0.50	0.66	160	450	6.00
22R154	150	0.54	0.52	160	300	4.40
22R224	220	1.05	0.44	150	250	3.70
22R334	330	1.21	0.38	150	250	3.30
22R474	470	1.87	0.31	140	250	2.90
22R684	680	2.70	0.25	120	250	2.20
22R105	1mH	3.80	0.17	150	200	1.80
22R155	1.5mH	5.40	0.13	160	200	1.65
22R225	2.2mH	11.00	0.11	150	200	1.35

TYPICAL CORE CHARACTERISTICS

Inductance Temperature Coefficient	Resistance Temperature Coefficient	Curie Temperature TC	Saturation Flux BSAT
350ppm	3900ppm	190°C	325mT

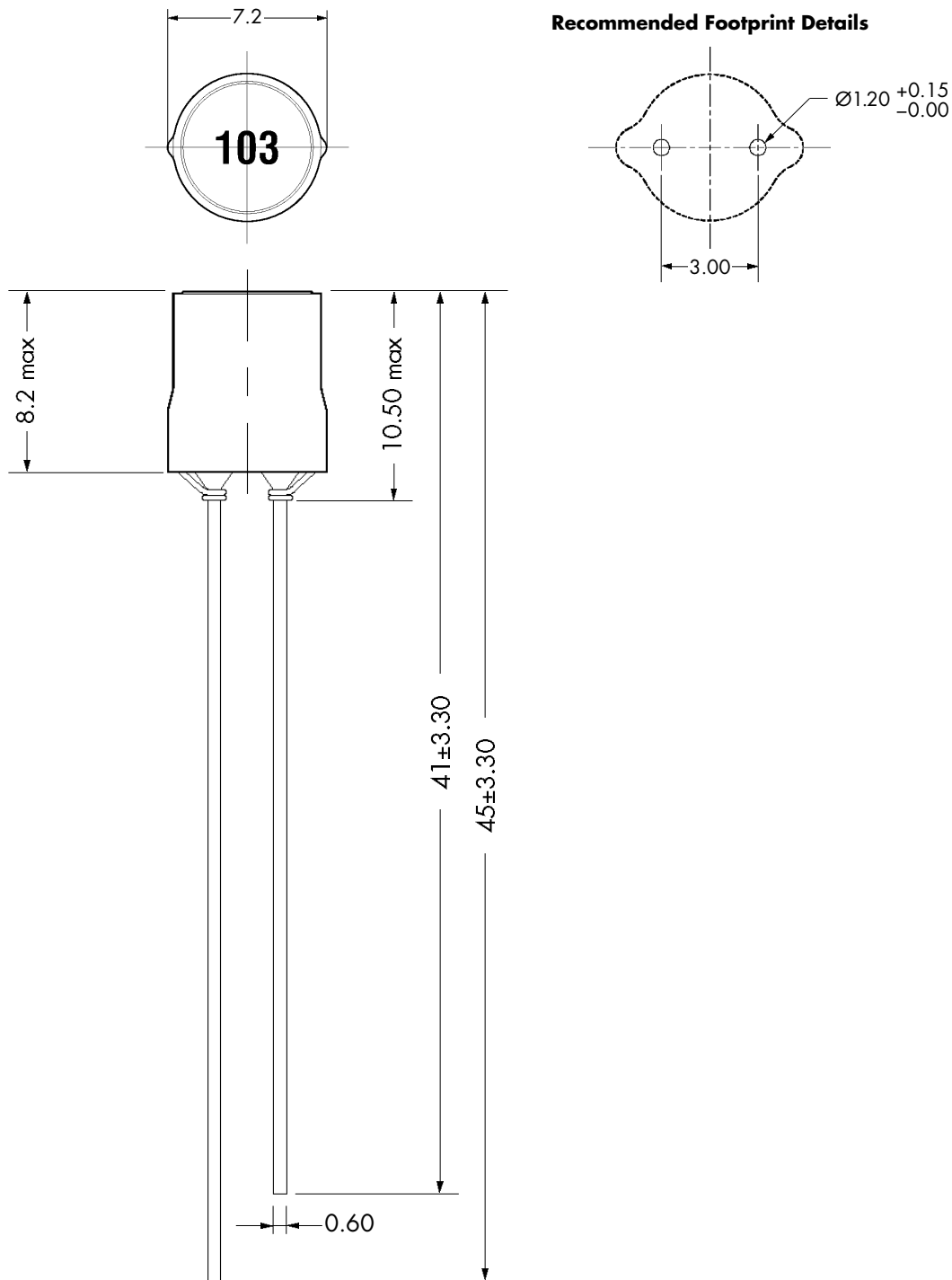
ABSOLUTE MAXIMUM RATINGS

Operating free air temperature range	-25°C to 70°C
Storage temperature range	-50°C to 125°C

2200R SERIES

Miniature Radial Lead Inductors

MECHANICAL DIMENSIONS



All dimensions in mm XX.X ± 0.50, XX.XX ± 0.25

C&D Technologies (NCL) Limited reserve the right to alter or improve the specification, internal design or manufacturing process at any time, without notice. Please check with your supplier or visit our web site to ensure that you have the current and complete specification for your product before use.

© C&D Technologies (NCL) Limited 2000

NMP 2200R.2

No part of this publication may be copied, transmitted or stored in a retrieval system or reproduced in any way including, but not limited to, photography, photocopy, magnetic or other recording means, without prior written permission from C&D Technologies (NCL) Limited.

Instructions for use are available from www.dc-dc.com

C&D Technologies (NCL) Ltd
Tanners Drive, Blakelands North
Milton Keynes MK14 5BU, England
Tel: +44 (0)1908 615232
Fax: +44 (0)1908 617545
email: info@cdtechno-ncl.com

www: <http://www.dc-dc.com>

C&D Technologies (NCL), Inc.
8917 Glenwood Avenue, Raleigh
NC 27612, USA
Tel: +1 (919) 571-9405
Fax: +1 (919) 571-9262
email: info@us.cdtechno-ncl.com

C&D TECHNOLOGIES
Power Solutions

This datasheet has been download from:

www.datasheetcatalog.com

Datasheets for electronics components.